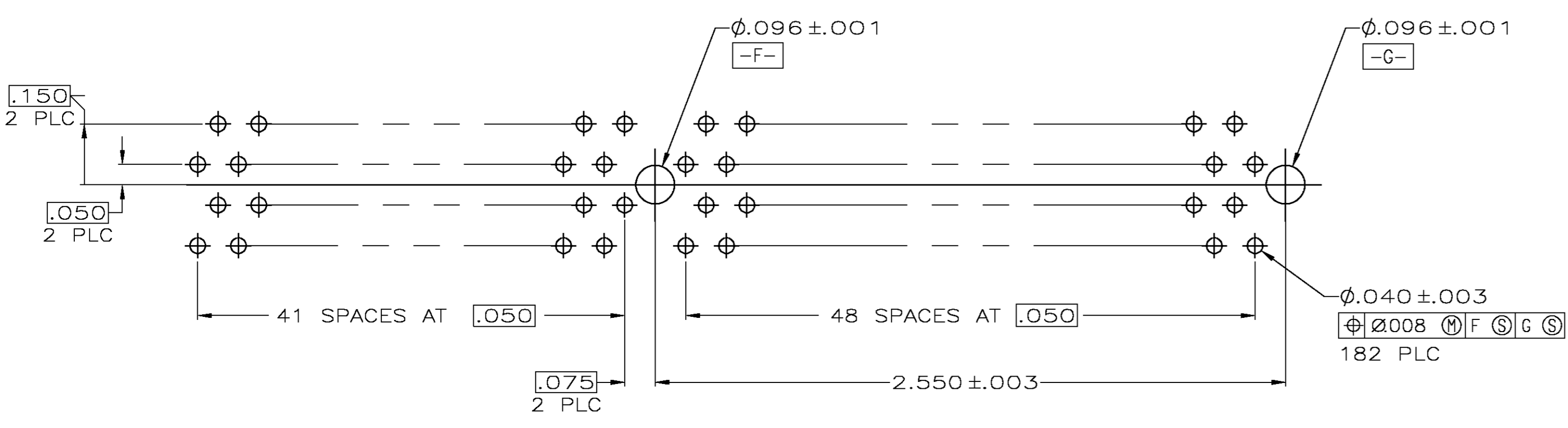
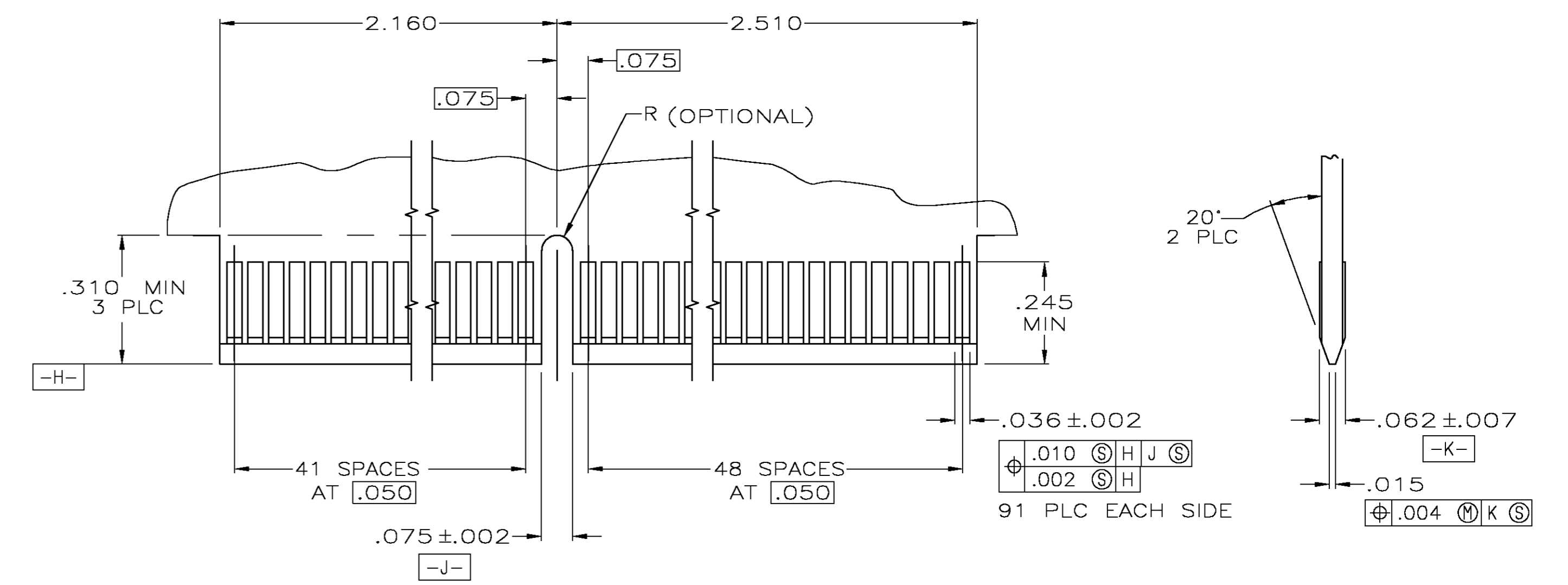
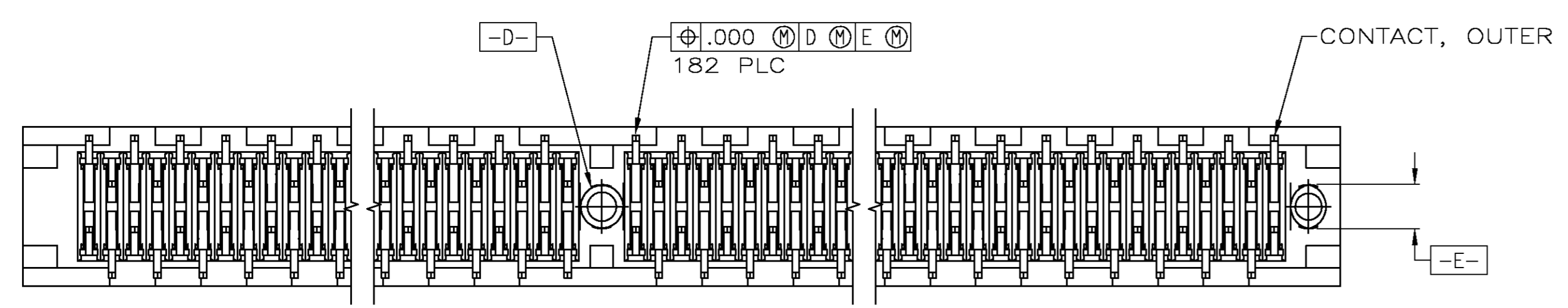


- 1 HOUSING: HIGH TEMPERATURE THERMOPLASTIC. COLOR: BROWN.
- 2 CONTACT: PHOSPHOR BRONZE.
- 3 CONTACT FINISH: .000100 MIN NICKEL ALL OVER.
.000030 MIN GOLD OVER NICKEL IN CONTACT AREA.
.000100 MIN MATTE TIN OVER NICKEL ON SOLDER TAILS.
- 4 DISTANCE FROM CONTACT POINT TO BOTTOM OF CARD SLOT.
- 5 AMP PART NUMBER, DATE CODE AND CSA LOGO MARKED IN APPROXIMATE AREA SHOWN.



RECOMMENDED CONNECTOR MOUNTING HOLE PATTERN
(CONNECTOR SIDE SHOWN)

| | |
|-----|-------------|
| .14 | 5650092-2 |
| .10 | 5650092-1 |
| W | PART NUMBER |

| | | | |
|--|--|----------------------------|---|
| THIS DRAWING IS A CONTROLLED DOCUMENT. | | DRN AL FRANTUM 24 JUN 05 | Tyco Electronics Corporation Harrisburg, Pa 17105-3608 |
| DIMENSIONS: INCHES | | APVD AL FRANTUM 24 JUN 05 | |
| TOLERANCES UNLESS OTHERWISE SPECIFIED: | | PRODUCT SPEC 108-14034 | NAME: CONNECTOR ASSEMBLY, 91 DUAL POSITION, .050 SERIES, |
| 0 PLC ± - 1 PLC ± - 2 PLC ± .01 3 PLC ± .005 4 PLC ± - ANGLES ± 7 FINISH | | APPLICATION SPEC 114-26012 | |
| MATERIAL | | SIZE: A1 | CAGE CODE: 00779 |
| | | DRAWING NO: C=5650092 | RESTRICTED TO: - |
| | | WEIGHT: - | CUSTOMER DRAWING |
| | | SCALE: 4:1 | SHEET: 1 OF 1 |
| | | | REV: 0 |