

THIS DRAWING IS UNPUBLISHED. RELEASED FOR PUBLICATION
 © COPYRIGHT - By - ALL RIGHTS RESERVED.

LOC		DIST		REVISIONS			
P	LTR	DESCRIPTION		DATE	DWN	APVD	
	A1	REVISED PER ECO-11-004820		11MAR11	RK	HMR	

SPECIFICATIONS:

MATERIALS:

CASE: THERMOSET.
 ACTUATOR BUTTON: THERMOPLASTIC MSPF-101B: COLOR: BLACK
 MSPF-101C: COLOR: RED.
 MOVING CONTACT: COPPER ALLOY, SILVER PLATE.
 FIXED CONTACT: COPPER ALLOY, SILVER PLATE.
 TERMINALS: COPPER ALLOY, SILVER PLATE.
 TERMINAL SEAL: EPOXY.

ELECTRICAL:

CONTACT RATING: 0.5 AMPS AT 125 VAC.
 INITIAL CONTACT RESISTANCE: 100 MILLIOHMS.
 INSULATION RESISTANCE: 1,000 MEGOHMS MIN.
 DIELECTRIC STRENGTH: 1000V RMS AT SEA LEVEL.
 LIFE EXPECTANCY: 10,000 CYCLES.

MECHANICAL:

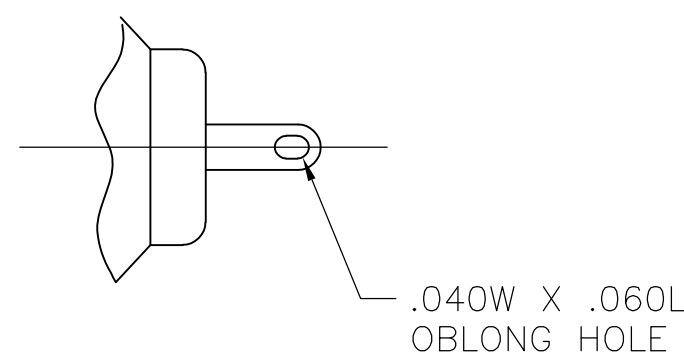
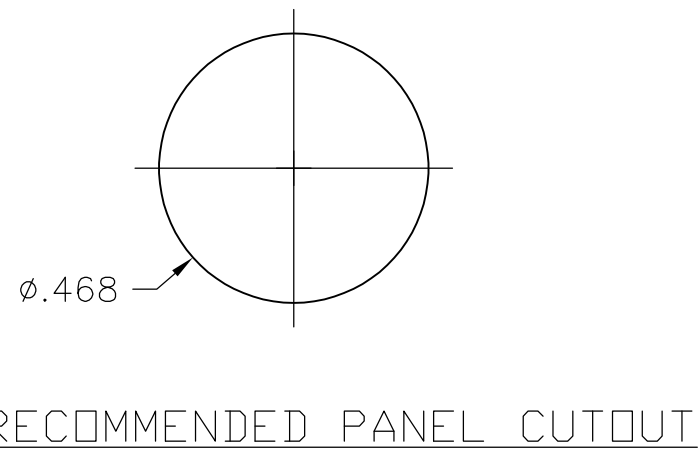
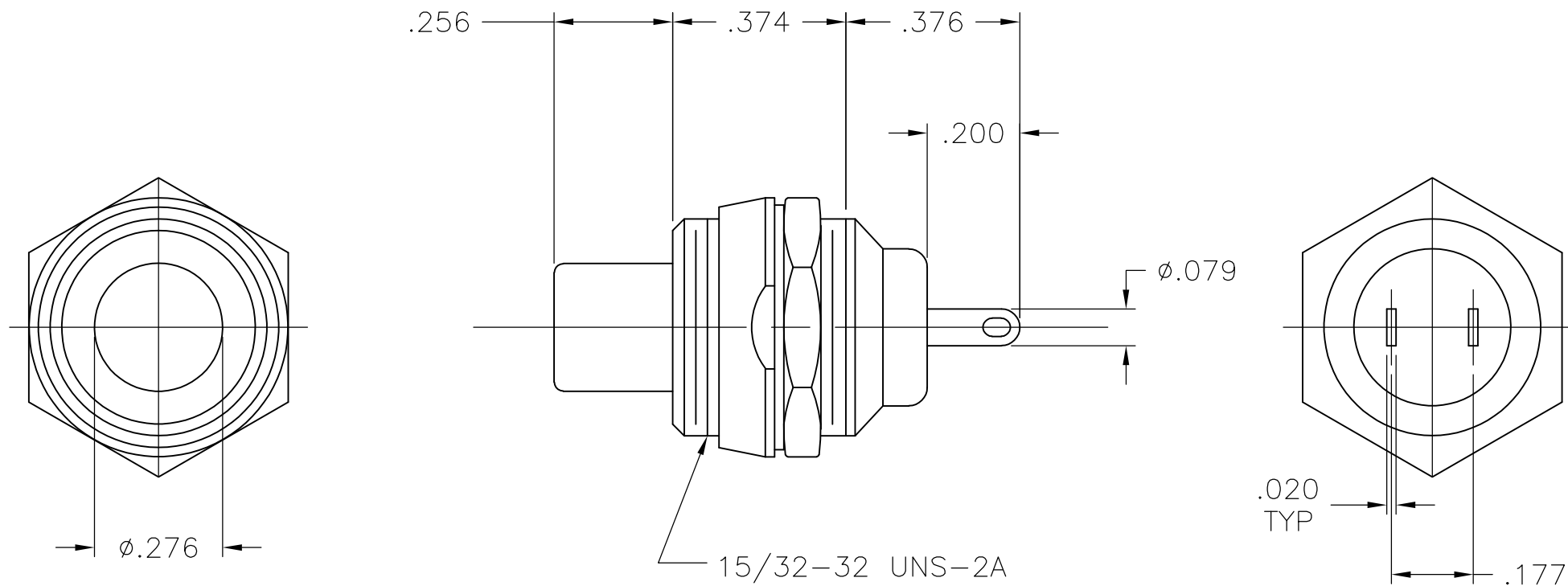
ACTUATION TRAVEL: .098.

ENVIRONMENTAL:

OPERATING TEMPERATURE: -4°F TO +176°F(-20°C TO +80°C).
 STORAGE TEMPERATURE: -4°F TO +176°F(-20°C TO +80°C).

NOTES:

1. INTERPRET DRAWING PER ASME Y14.5M-1994.
2. SUPPLIED WITH MOUNTING HARDWARE:
 (1) WASHER
 (1) N-35 DECORATIVE NUT
 (1) HEX NUT.
3. RECOMMENDED HAND SOLDER TEMP. OF 420C FOR 5 SECONDS.



TERMINAL DETAIL



CIRCUIT DIAGRAM

NORMALLY OPEN	SPST	MSPF-101C	9-1437567-3
NORMALLY CLOSED	SPST	MSPF-101B	8-1437567-8
ACTION	TYPE	MODEL NO.	PART NUMBER

THIS DRAWING IS A CONTROLLED DOCUMENT.		DWN	S SCHLEGEL	11JAN2008	
DIMENSIONS: INCHES		CHK	M WILBOURN	1/16/08	
TOLERANCES UNLESS OTHERWISE SPECIFIED:		APVD	M WILBOURN	1/16/08	
0 PLC ± - 1 PLC ± - 2 PLC ± - 3 PLC ± .010 4 PLC ± - ANGLES ± 1°		PRODUCT SPEC	NAME		
MATERIAL	FINISH	WEIGHT	A2 00779		SIZE
CUSTOMER DRAWING		SCALE	NTS		DRAWING NO.
		SHEET	1 of 1		RESTRICTED TO
		REV	A1		