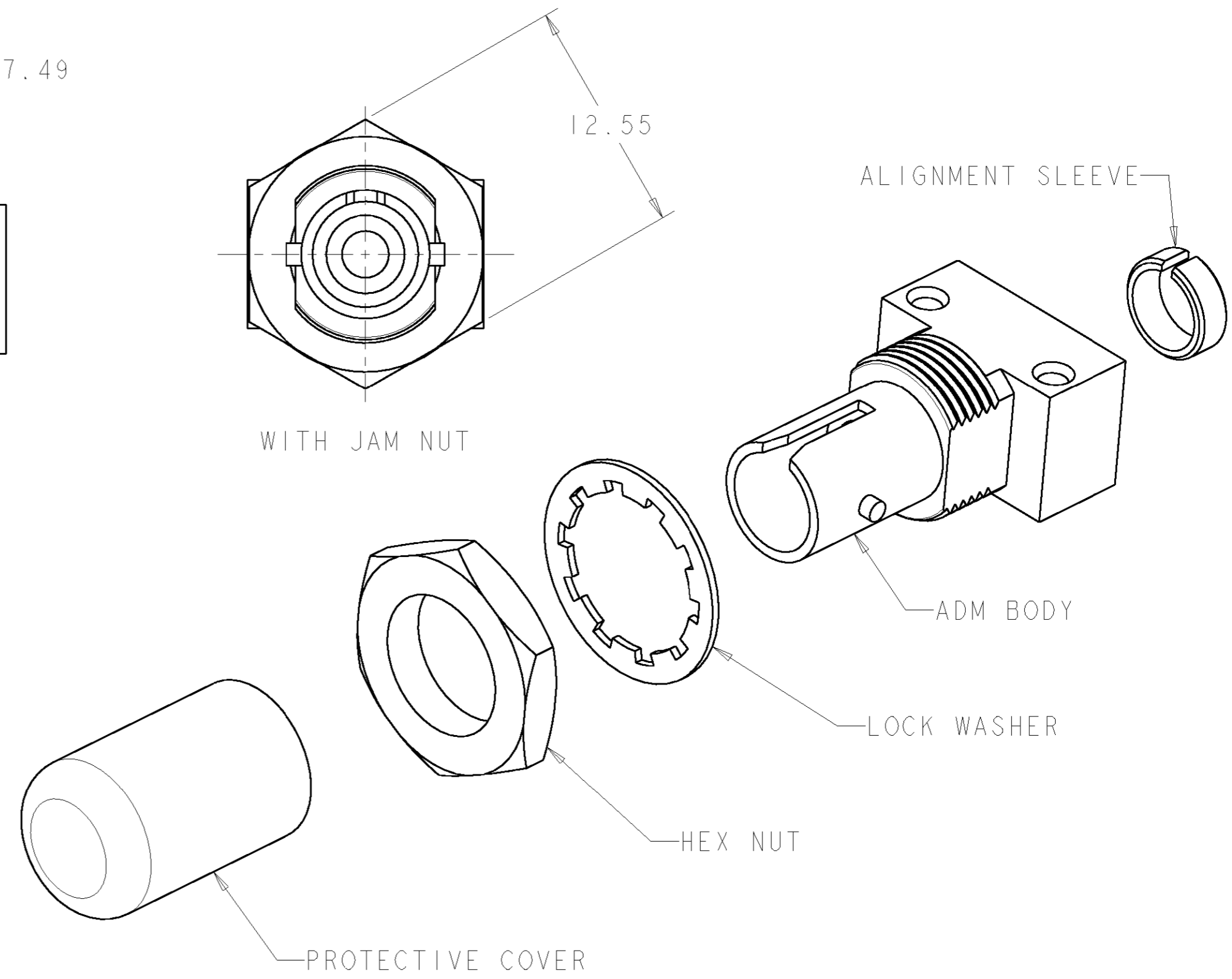
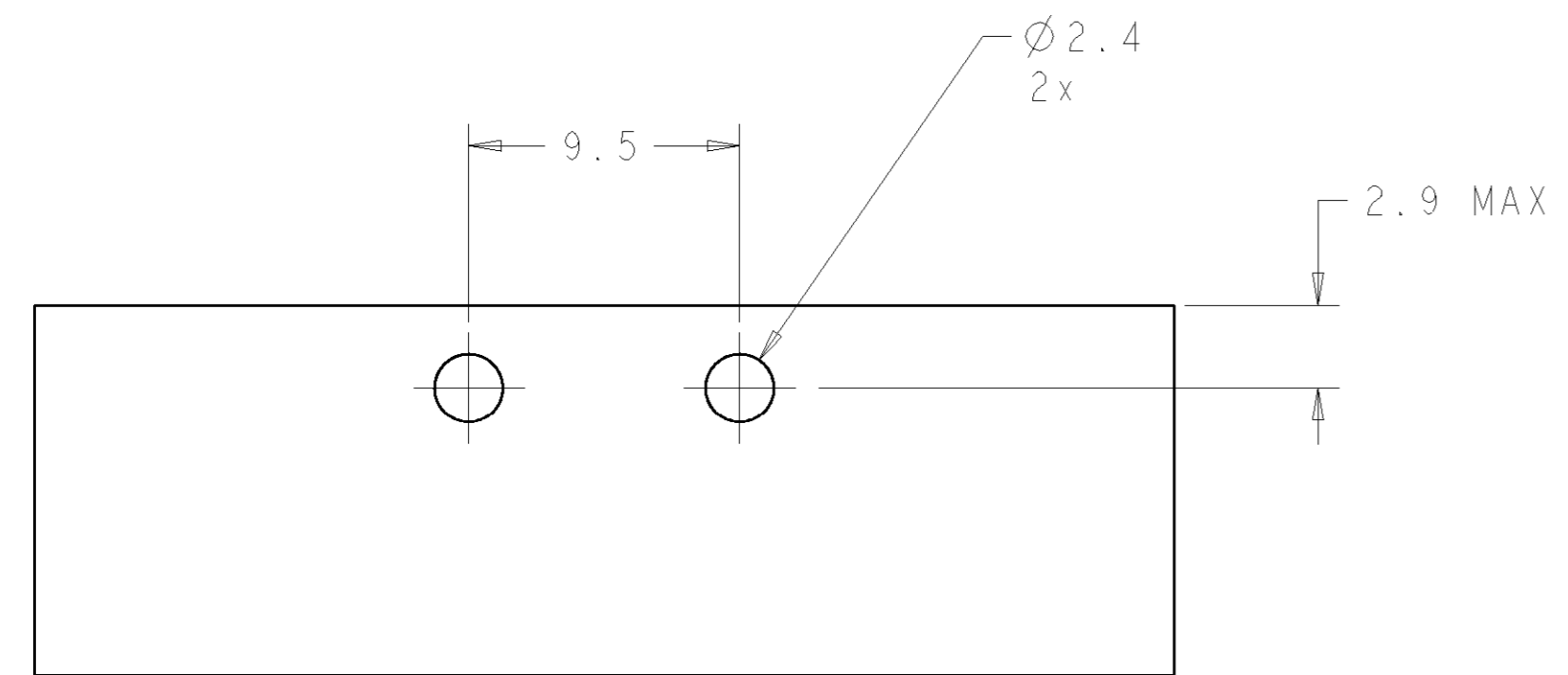
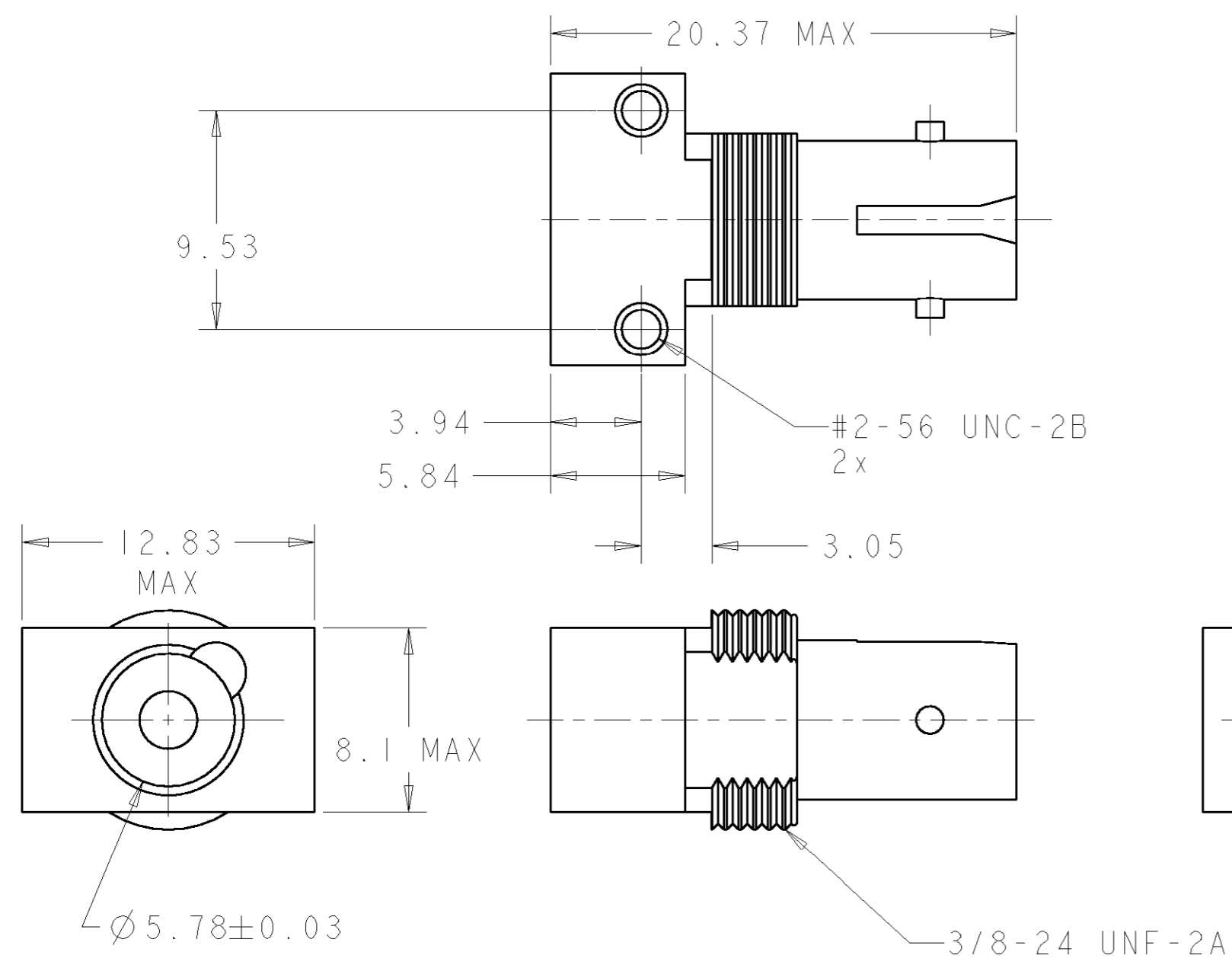
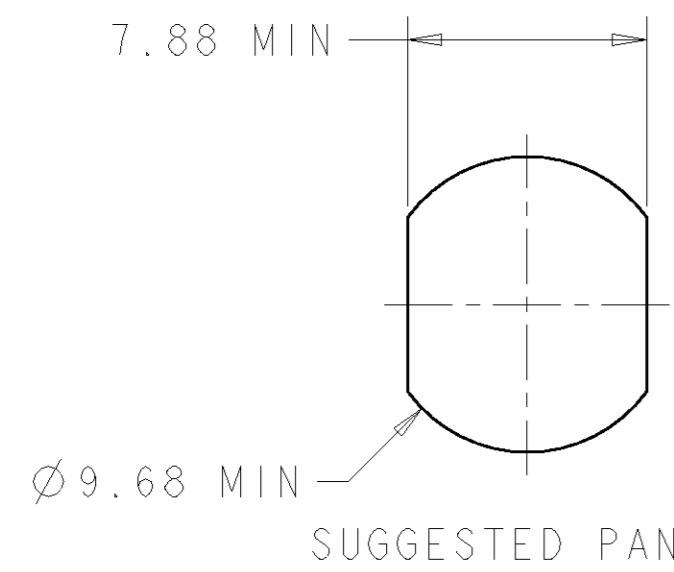


THIS DRAWING IS UNPUBLISHED. RELEASED FOR PUBLICATION 20
 © COPYRIGHT 20 BY TYCO ELECTRONICS CORPORATION. ALL RIGHTS RESERVED.

| LOC | DIST | REVISIONS | | | | | |
|-----|------|-----------|-----|-----------------------------|-----------|-----|------|
| CE | 00 | P | LTR | DESCRIPTION | DATE | DWN | APVD |
| | | A | | RELEASE RoHS COMPLIANT PART | 21APR2005 | BB | SB |



PC BOARD MOUNTING HOLE PATTERN



- 1 BULK PACKAGED.
- 2 MATERIAL:
 PROTECTIVE COVER: PVC, COLOR: RED, NON-FR
 HEX NUT: NICKEL PLATED BRASS
 LOCK WASHER: STAINLESS STEEL
 ADM BODY: NICKEL PLATED ZINC
 ALIGNMENT SLEEVE: PBT, COLOR: BLACK,
 UL94 V-0 RATED AT
 QUALIFYING THICKNESS

| |
|-------------|
| 5504022-3 |
| 5504022-2 |
| PART NUMBER |

| | | | | |
|--|--|---------------------------------|---|------------------------|
| THIS DRAWING IS A CONTROLLED DOCUMENT FOR TYCO ELECTRONICS CORPORATION IT IS SUBJECT TO CHANGE AND THE CONTROLLING ENGINEERING ORGANIZATION SHOULD BE CONTACTED FOR THE LATEST REVISION. | | DWN B. BRIGGS 21APR2005 | Tyco Electronics Harrisburg, PA 17105-3608 | |
| DIMENSIONS: mm | | CHK S. BUCHTER 21APR2005 | NAME ADM KIT, BAYONET | |
| TOLERANCES UNLESS OTHERWISE SPECIFIED: 0 PLC ± 1 PLC ± 2 PLC ±0.13 3 PLC ± 4 PLC ± ANGLES ± FINISH | | APVD S. BUCHTER 21APR2005 | RESTRICTED TO | |
| MATERIAL | | PRODUCT SPEC - | SIZE A200779 | CAGE CODE C-5504022 |
| 2 | | APPLICATION SPEC - | DRAWING NO 5504022 | REV A |
| CUSTOMER DRAWING | | WEIGHT - | SCALE 4:1 | SHEET 1 OF 1 |