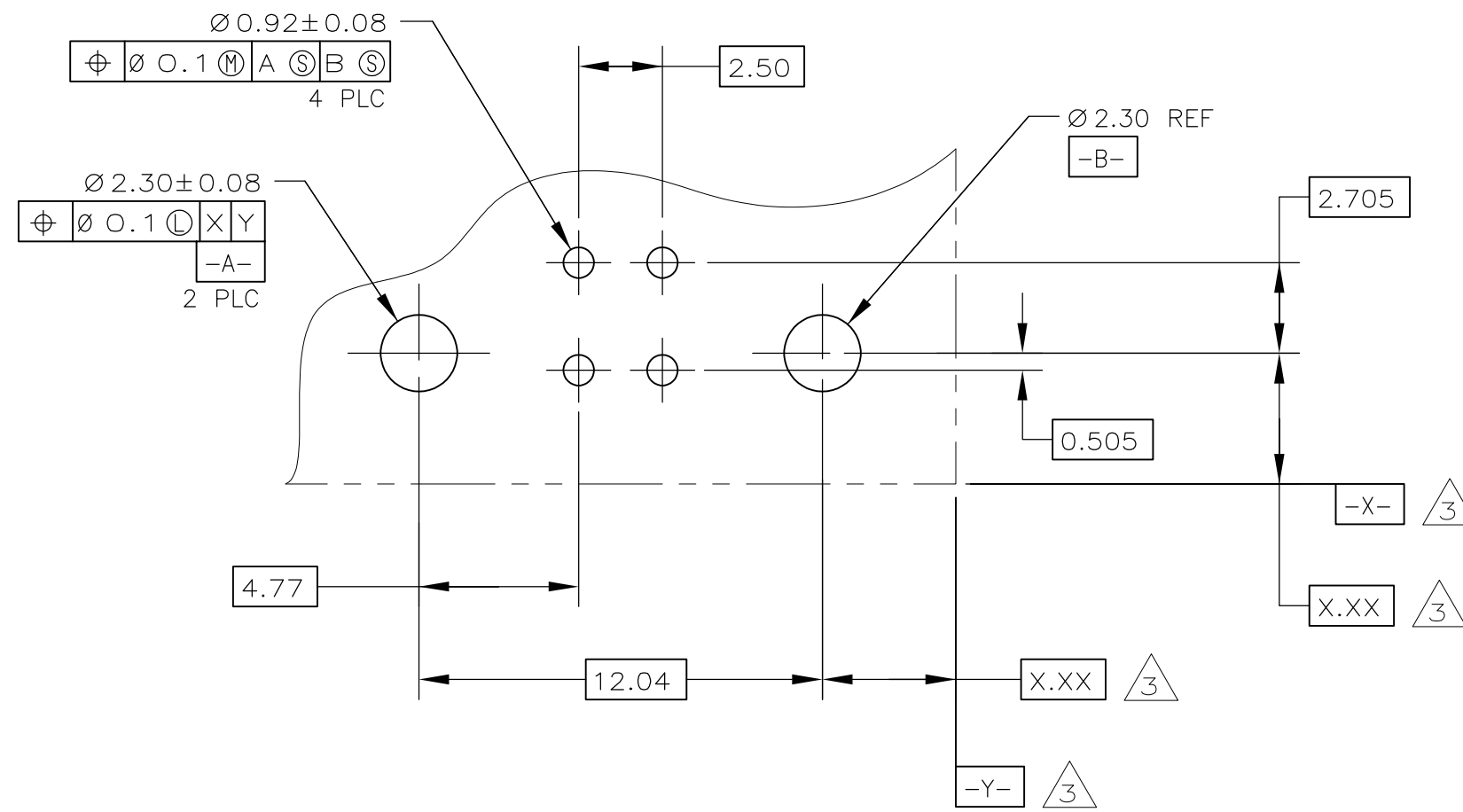
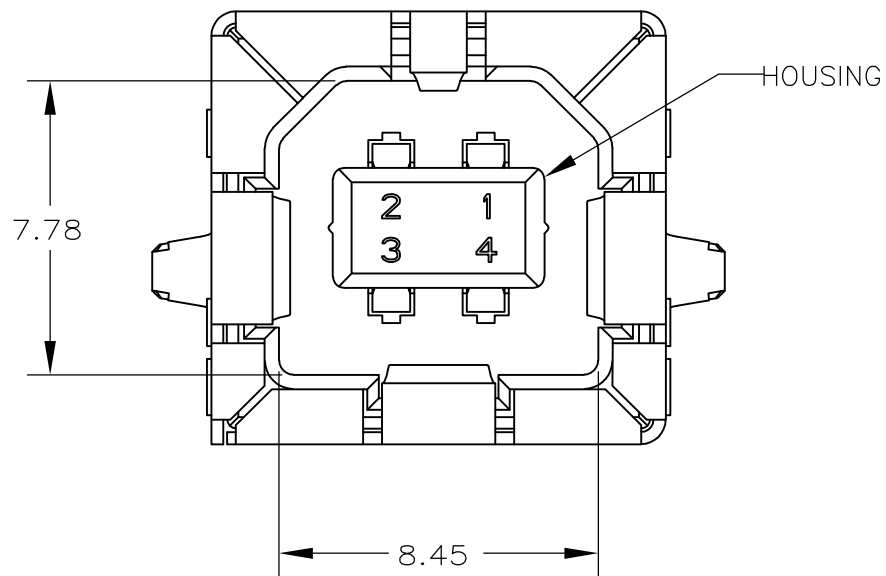


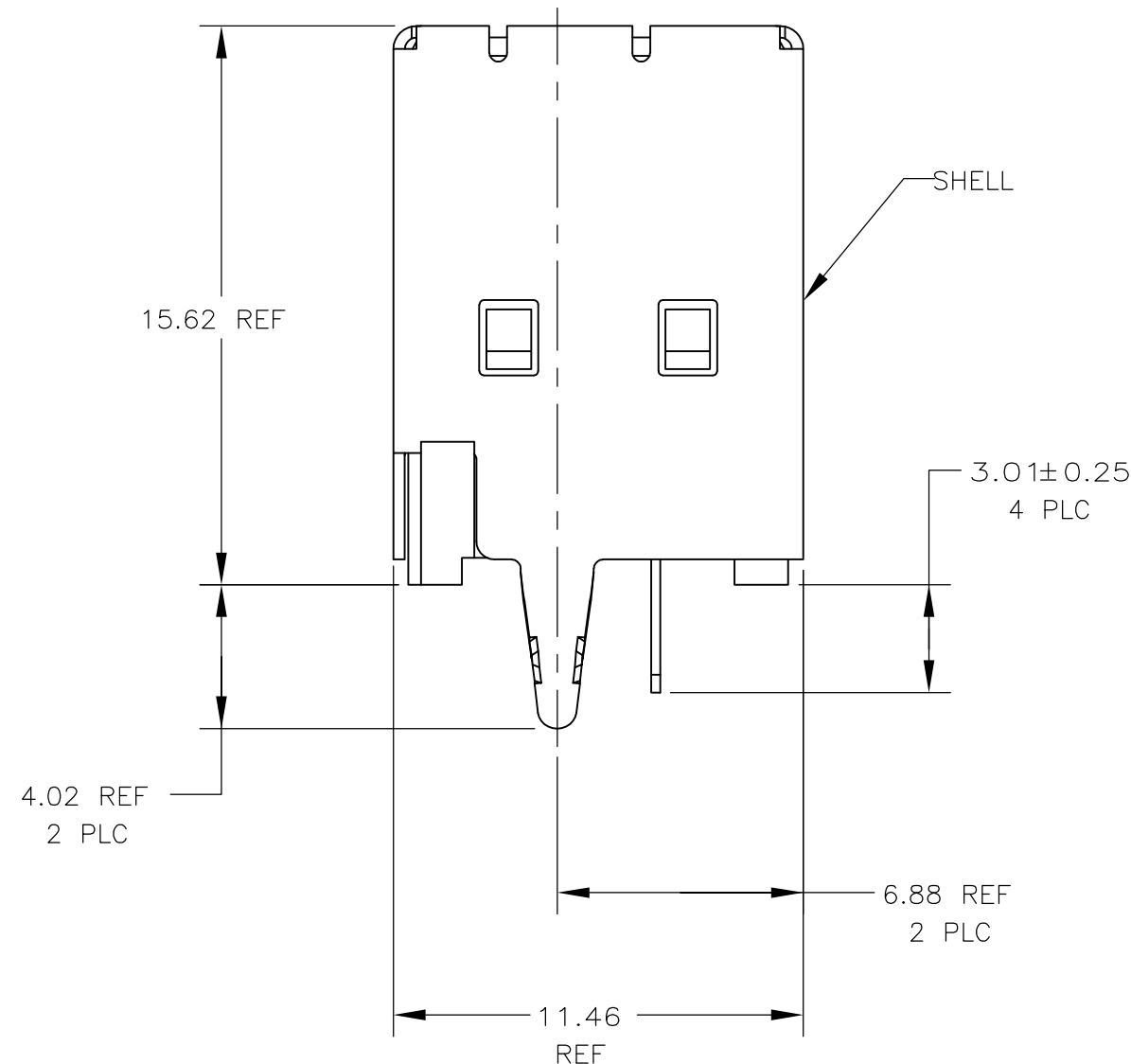
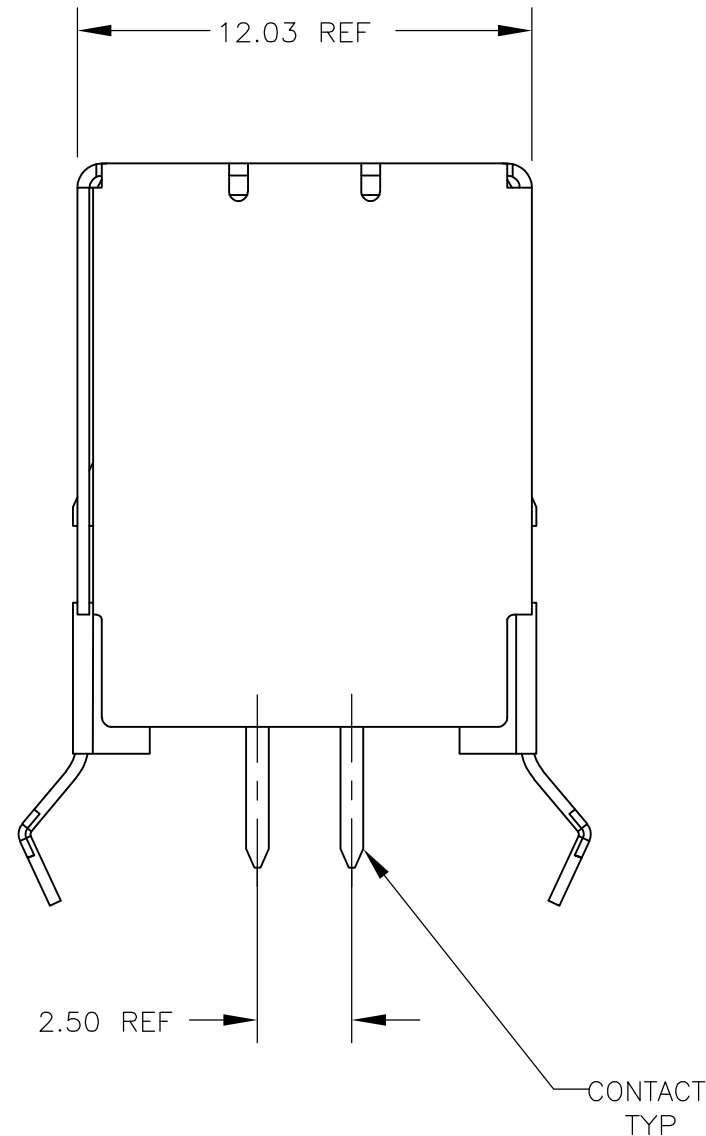
THIS DRAWING IS UNPUBLISHED. RELEASED FOR PUBLICATION
 © COPYRIGHT - By - ALL RIGHTS RESERVED.

LOC		DIST		REVISIONS			
P	LTR	DESCRIPTION		DATE	DWN	APVD	
ES	00	A1	REVISED PER ECO-11-005033		24MAR11	RK	HMR



LEAD FREE

PC BOARD MOUNTING DIMENSIONS



- 1 MATERIAL:
SHELL & CONTACTS - COPPER ALLOY.
HOUSING - UL 94V-0 RATED, THERMOPLASTIC, FOR COLOR SEE TABLE.
- 2 PLATING:
CONTACTS - 0.076um MINIMUM GOLD OVER 0.76um MINIMUM PALLADIUM-NICKEL ON MATING AREA, 3.8um MINIMUM MATTE TIN ON SOLDER TAILS, BOTH OVER 1.27um MINIMUM NICKEL.
CONTACT ALTERNATE PLATING: 0.76um MINIMUM GOLD ON MATING AREA, 3.80um MINIMUM MATTE TIN ON SOLDER TAILS, BOTH OVER 1.27um MINIMUM NICKEL.
SHELL - 2~5um MINIMUM BRIGHT TIN.
- 3 DATUM AND BASIC DIMENSIONS ESTABLISHED BY CUSTOMER.
- 4 RECOMMENDED PC BOARD THICKNESS OF 1.57mm.

NATURAL	0-5787834-2
BLACK	0-5787834-1
HOUSING COLOR	PART NUMBER

THIS DRAWING IS A CONTROLLED DOCUMENT.		DWN	Ivanov Wang	28MAY2004		TE Connectivity		
DIMENSIONS: mm		CHK	Steven Yao	28MAY2004		NAME		
TOLERANCES UNLESS OTHERWISE SPECIFIED:		APVD	Takinori Sasaki	28MAY2004		PRODUCT SPEC		
0 PLC ± - 1 PLC ± 0.1 2 PLC ± 0.05 3 PLC ± 0.013 4 PLC ± - ANGLES ± - FINISH ± -		APPLICATION SPEC		RECEPTACLE ASSY, 4 POS. VERTICAL, THRU-HOLE, TYPE B UNIVERSAL SERIAL BUS				
MATERIAL	- 1	WEIGHT	-	SCALE	A2	CAGE CODE	00779	
CUSTOMER DRAWING		SCALE		5:1	SHEET		1 OF 1	
		REV		A1				