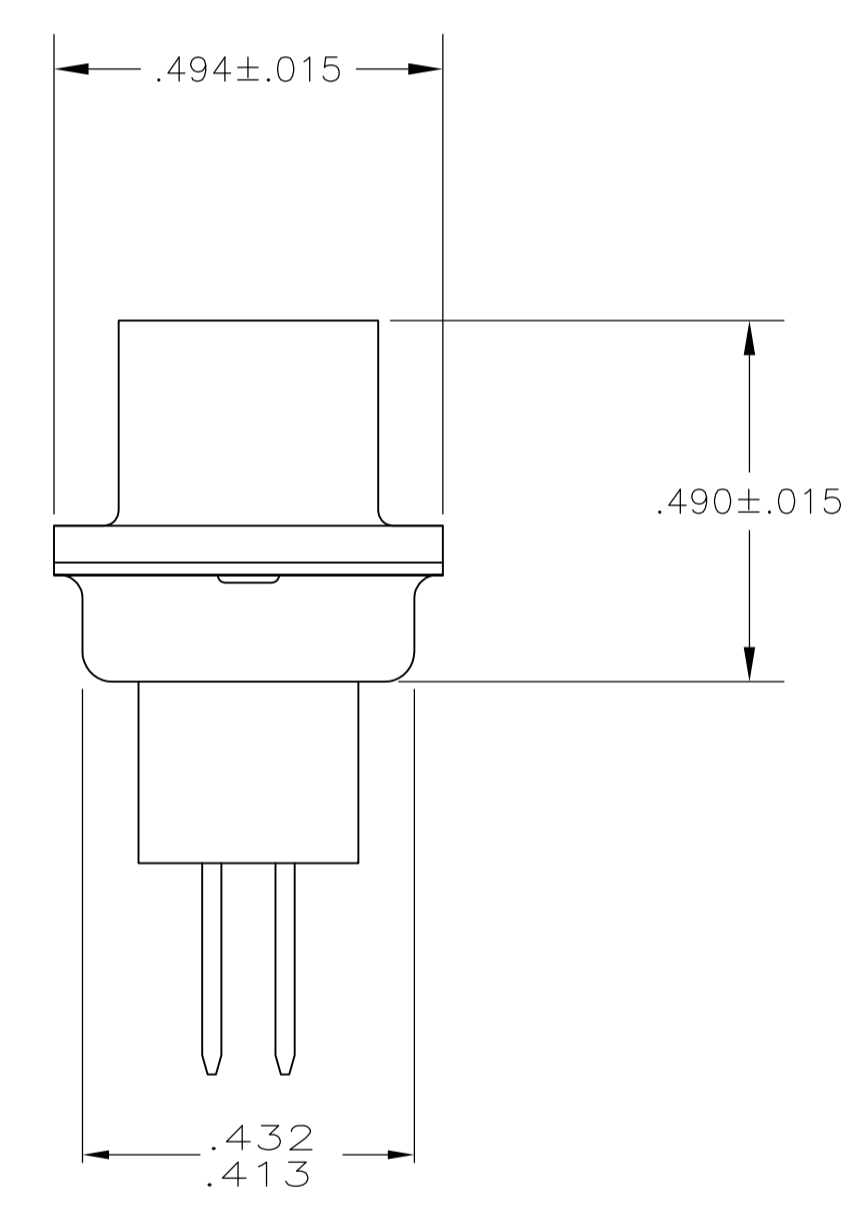
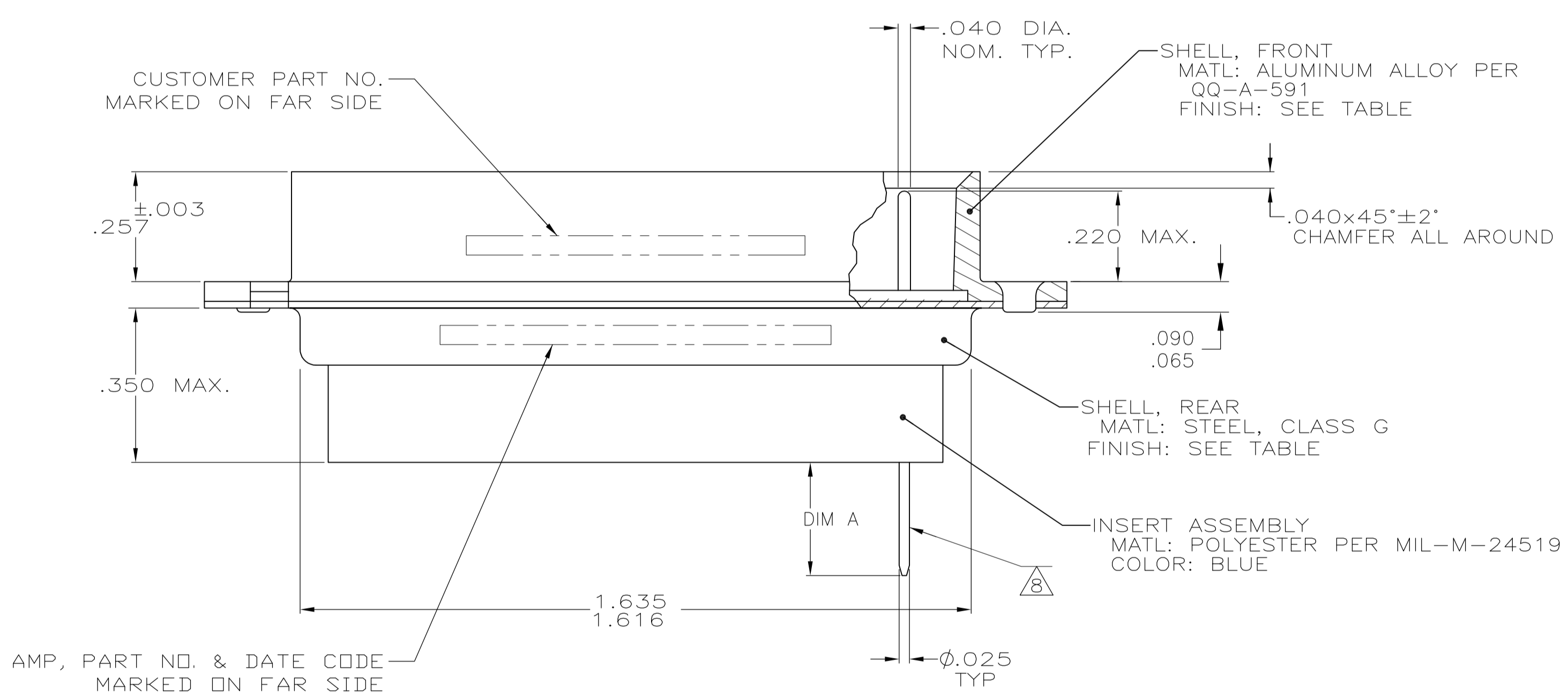
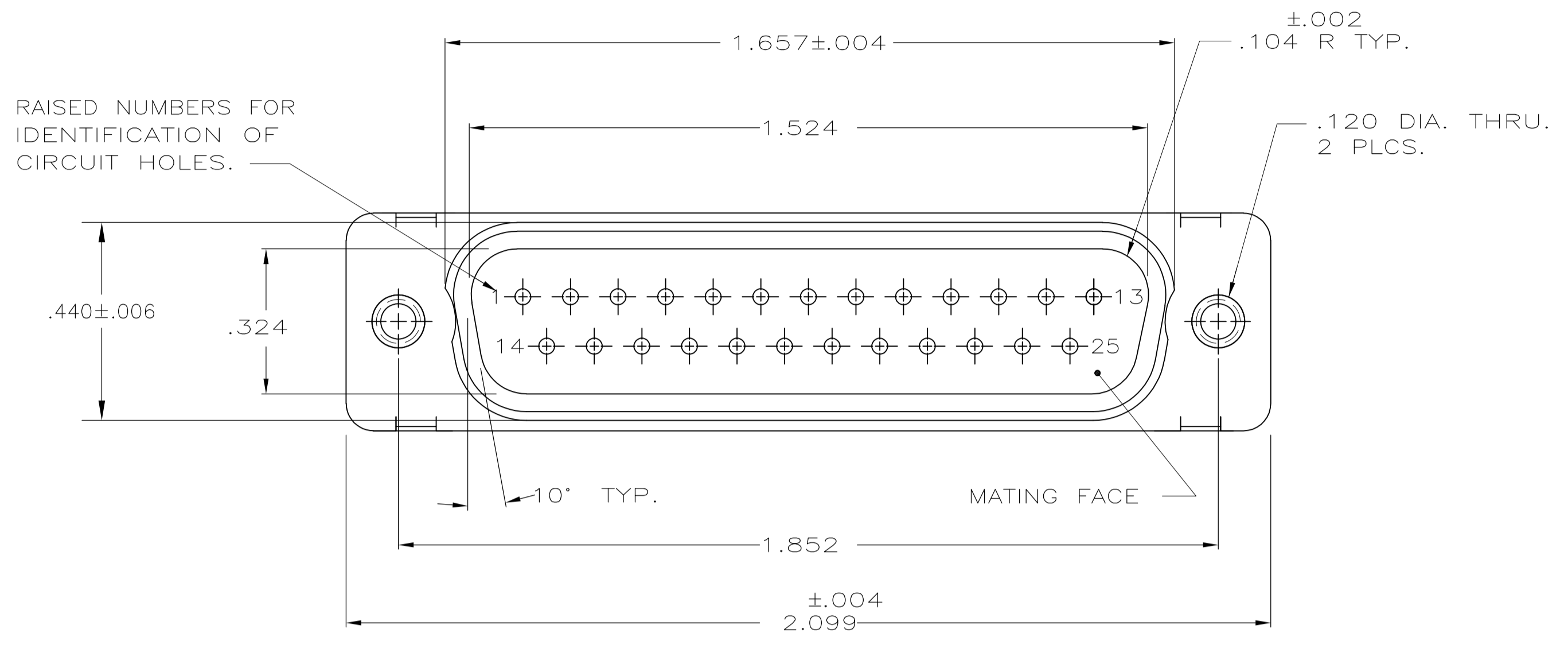


LOC		DIST		REVISIONS			
P	LTR	DESCRIPTION	DATE	DN	APVD		
R		REV PER ECO 10-022949	12-21-10	CT	RL		



1. THIS PLUG WILL MATE WITH ANY 25 POSN., SIZE 3 RECEPTACLE IN AMPLIMITE SERIES.
 2. MAXIMUM WIRE INSULATION TO BE USED WITH THIS PLUG IS .068 DIA.
 3. SST RETENTION CLIPS ARE INCLUDED IN INSERTS.
 4. THIS PLUG IS DESIGNED TO CONFORM TO THE LATEST ISSUE OF MIL-C-24308.
 5. 445007-1 & 5--1 SUPPLIED WITHOUT CONTACTS.
 6. 445007-1 WILL ACCEPT SIZE 20 DM PIN CONTACT M39029/64-369 OR ANY AMP SIZE 20 DF PIN CONTACT.
- 8 POSTED CONTACTS LOADED IN HOUSING OF 445007-2 .
 9 25 EACH OF CONTACT #205089-1 INCLUDED WITH ASSEMBLY; PACKAGED SEPARATELY.
 10 FINISH: CADMIUM PER QQ-P-416; YELLOW CHROMATE.
 11 FINISH: ZINC PLATED PER ASTM-B-633 .000200 MIN THK WITH SUPPLEMENTARY CHROMATE (Cr3+).

FINISH	DIM A	DESCRIPTION	PART NO
11	-	AS SHOWN EXCEPT 9	5-445007-1
10	-	AS SHOWN EXCEPT 9	445007-3
10	.365/.300	AS SHOWN	445007-2
10	-	AS SHOWN EXCEPT 9	445007-1

THIS DRAWING IS A CONTROLLED DOCUMENT.

DIMENSIONS: INCHES	TOLERANCES UNLESS OTHERWISE SPECIFIED:	DIN S. GLATFELTER 10-17-85	Tyco Electronics Corporation Harrisburg, PA 17105-3608
0 PLC ± -	1 PLC ± -	CIK: F.C. BALLEW 10-17-85	
2 PLC ± -	3 PLC ± .005	APVD: F. BALLEW 10-17-85	NAME: PLUG ASSEMBLY, AMPLIMITE, 25 POSN., SIZE 3, SERIES 109, BLINDMATE
4 PLC ± -	ANGLES ± -	APPLICATION SPEC	
MATERIAL: SEE CALLOUT	FINISH: SEE CALLOUT	WEIGHT: -	RESTRICTED TO: -
CUSTOMER DRAWING		SIZE: A1	SCALE: 4:1
		CAGE CODE: 00779	DRAWING NO: 445007
		SHEET: 1 OF 1	REV: R