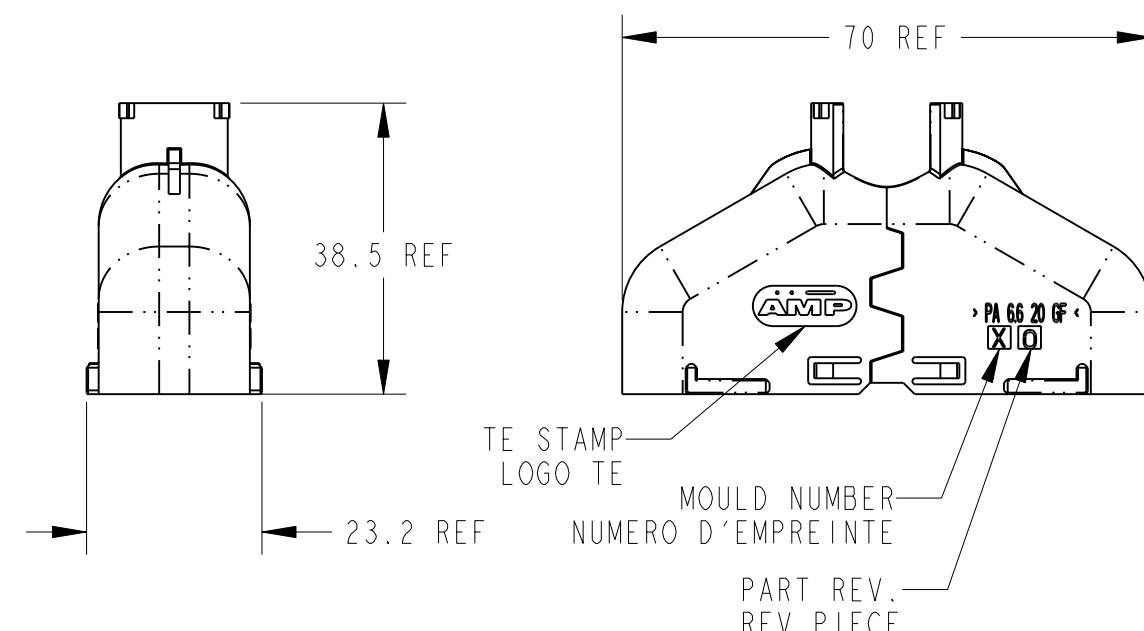
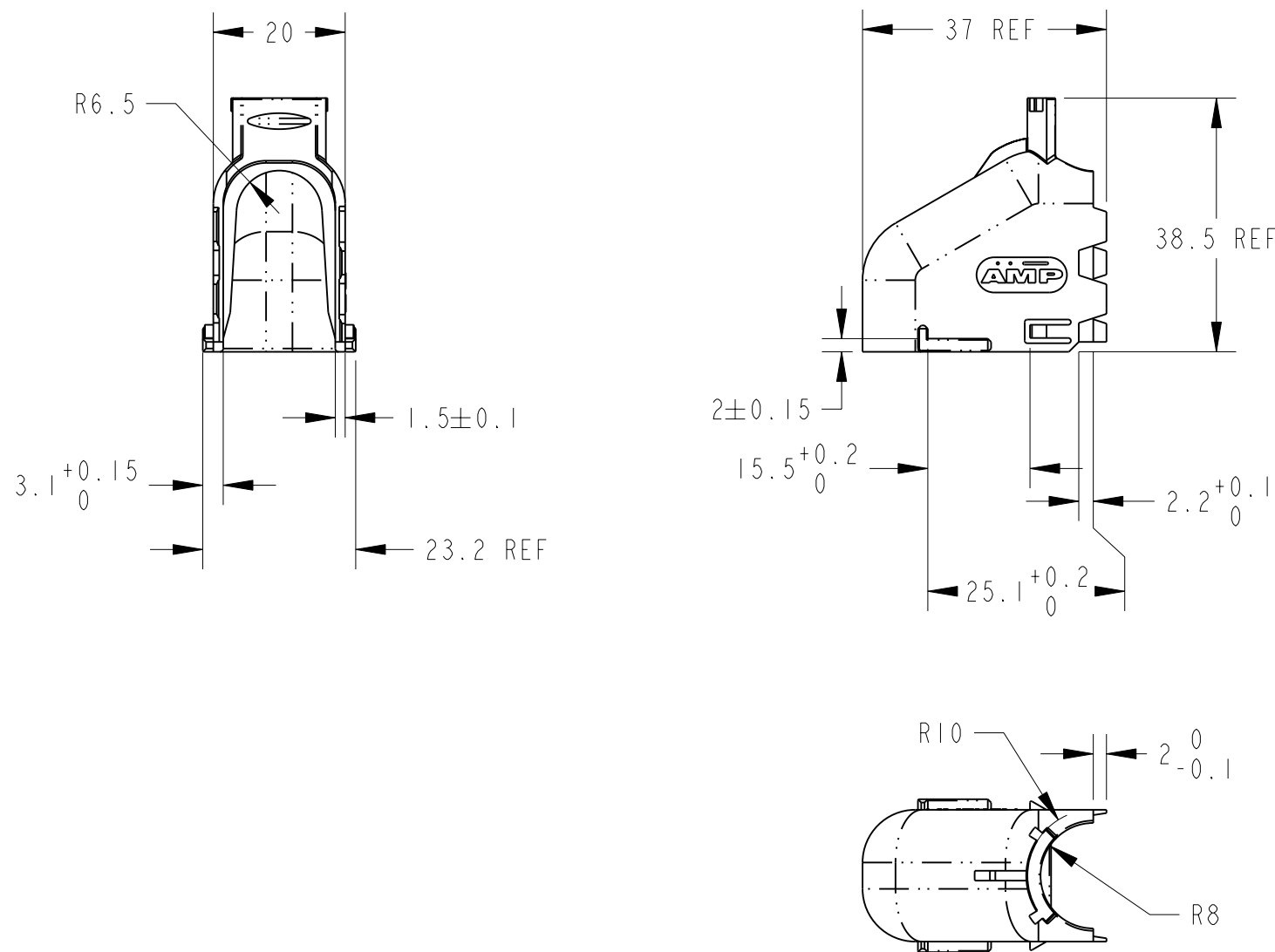


THIS DRAWING IS UNPUBLISHED.
 DIFFUSION RESTREINTE AMP
 © COPYRIGHT 1997 BY TYCO ELECTRONICS CORPORATION. ALL INTERNATIONAL RIGHTS RESERVED.
 TOUS DROITS RESERVES

RELEASED FOR PUBLICATION
 LIBRE A LA DIFFUSION
 20

LOC	DIST	REVISIONS					
F	7	P	LTR REV	DESCRIPTION MODIFICATIONS	DATE	DWN DESS.	APVD APP.
			A	PA 66 20% FV WAS PA 66 25% FV	21SEPI998	RB	-
			B	TOLERANCE ON DIM 1.5	15JUN2000	DB	JJR
			C	REMOVE DIM TO AVOID REDUNDANCY DIMENSION	29MAR2010	DB	JJR



1 A UNIT CORRESPONDS TO 953040-2
 A PAIR OF HALF-COVER 953040-1

UNE UNITE CORRESPOND A : voir ci-contre
 UNE PAIRE DE DEMI-CAPOT : voir ci-contre

		2	BLACK	PA66 20% GF	VERTICAL COVER
COMPONENT QTY			COLOR	MATERIAL	DESIGNATION
953040-X MAX ADMISSIBLE STRAND Ø 16 mm					
-3	-2	-1			

		2	NOIR	PA66 20% FV	CAPOT VERTICAL
QTE COMPOSANT			COULEUR	MATIERE	DESIGNATION
953040-X TORON MAXI ADMISSIBLE Ø 16 mm					
-3	-2	-1			

THIS DRAWING IS A CONTROLLED DOCUMENT FOR TYCO ELECTRONICS CORPORATION IT IS SUBJECT TO CHANGE AND THE CONTROLLING ENGINEERING ORGANIZATION SHOULD BE CONTACTED FOR THE LATEST REVISION.
 CE PLAN EST UN DOCUMENT CONTROLE PAR AMP INCORPORATED. IL EST SUSCEPTIBLE D'ETRE REVISE. CONTACTER LE SERVICE TECHNIQUE D'AMP DE FRANCE POUR OBTENIR LA DERNIERE REVISION.

DIMENSIONS: mm	TOLERANCES UNLESS OTHERWISE SPECIFIED: TOLERANCES NON SPECIFIEES (SUIV NB DE DECIMALES): ± ± ±0.2 ±	DWN/DESSINE 03JUL1997 D.COQUELET	Tyco Electronics Tyco Electronics France SAS 95300 Pontoise, France
	ANGLES ±5°	CHK/VERIFIE 05JUN2000 JP.PICAUD	
MATERIAL MATIERE SEE TABLE	FINISH FINITION SEE TABLE	APVD/APPROUVE 05JUN2000 JJ.REV11	NAME TITRE VERTICAL COVER FOR 31 WAYS HYBRID TIMER CONNECTOR CAPOT VERTICAL POUR CONNECTIQUE 31 VOIES TIMER HYBRIDE
		PRODUCT SPEC SPEC. PRODUIT 108-15172	SIZE FORMAT A3
		APPLICATION SPEC SPEC. APPLICATION 411-15599	CAGE CODE 00779
		WEIGHT MASSE APPROX. 5g	DRAWING NO No PLAN C=953040
CUSTOMER DRAWING /PLAN CLIENT		UNIQUEMENT POUR REFERENCE	RESTRICTED TO RESERVE A
		SCALE ECHELLE	SHEET FEUILLE OF DE REV C